



ALL-POLY QUICK ATTACK

Midwest Fire Equipment & Repair Company manufactures high-quality fire apparatus to serve your community for decades. Operating with a neighborly style and Midwestern values, our skilled team of professionals work to design the most versatile, high value fire apparatus to aid firefighters in the protection of life and property.



Standard Features:

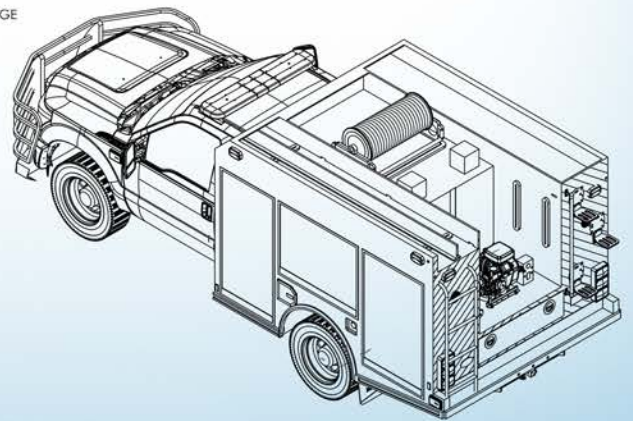
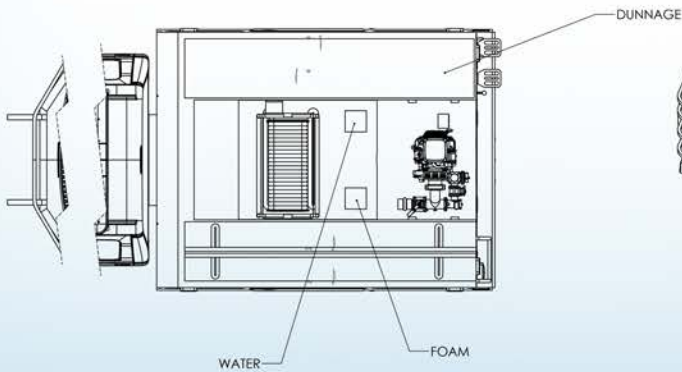
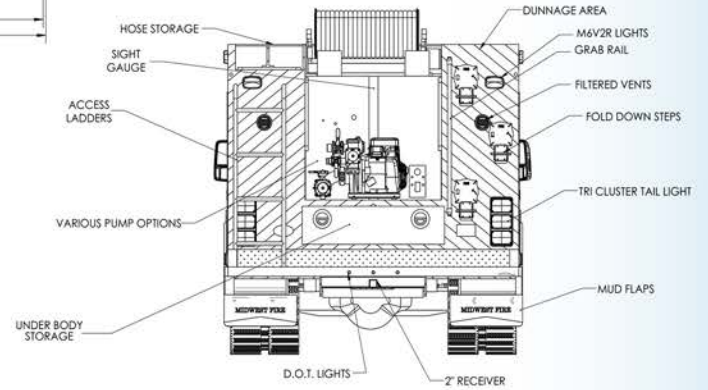
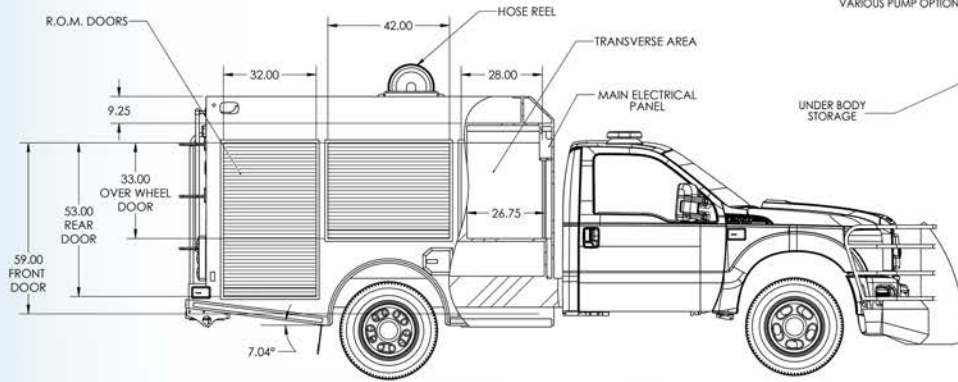
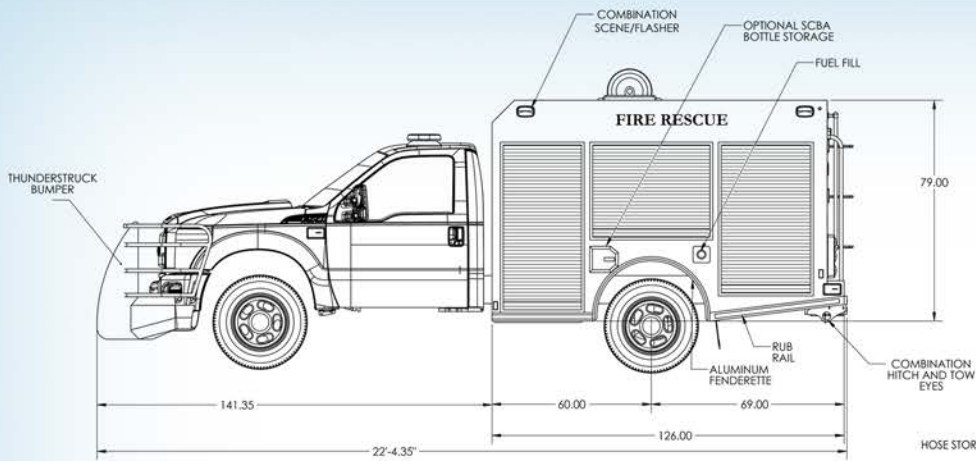
- All-Poly® Body/Tank with Lifetime Warranty
- All-Poly® "Sweep Out" Style Compartments with LED Lighting
- 100-700 GPM Engine-Driven Pump Options
- NFPA Compliant Warning Lights and Striping
- Emergency Siren & Speaker
- 150-300 Gallon Poly Tank
- Hose Reel Options
- 2" Rear Receiver Tube

Options:

- Foam Systems Available
- Multiple Booster Reel Mounting Options
- Pre-Connected Hose Tray Options
- Poly Storage Trays
- Multiple Compartment Configurations
- Rescue Equipment Storage
- Front & Rear Winch Applications
- Remote Monitor
- Heavy-Duty Grille Guard
- Shelving & Slide-Out Tray Options
- Front & Rear Spray Bars
- Telescoping Lights
- Ford & Dodge Chassis
- Much More Customized Options Available



info@MidwestFire.com • 901 Commerce Road • P.O. Box 524 • Luverne, MN 56156
MidwestFire.com • 1.800.344.2059



ALL•POLY QUICK ATTACK



info@MidwestFire.com • 901 Commerce Road • P.O. Box 524 • Luverne, MN 56156
 MidwestFire.com • 1.800.344.2059