

# ALL-POLY SERIES 3000

Midwest Fire Equipment & Repair Company manufactures high-quality fire apparatus to serve your community for decades. Operating with a neighborly style and Midwestern values, our skilled team of professionals work to design the most versatile, high value fire apparatus to aid firefighters in the protection of life and property.



## Standard Features:

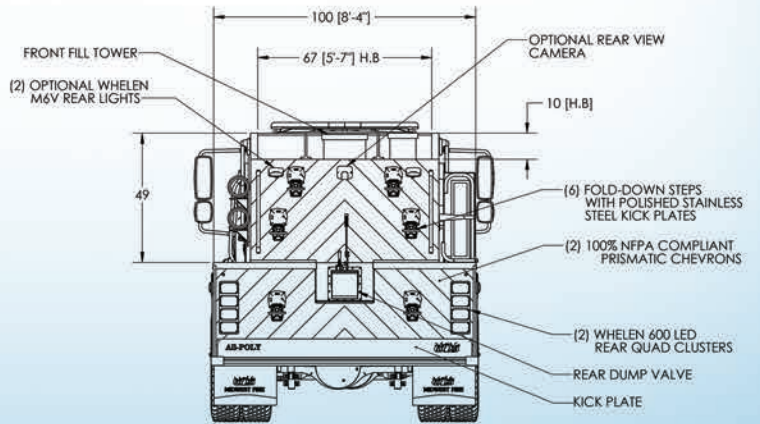
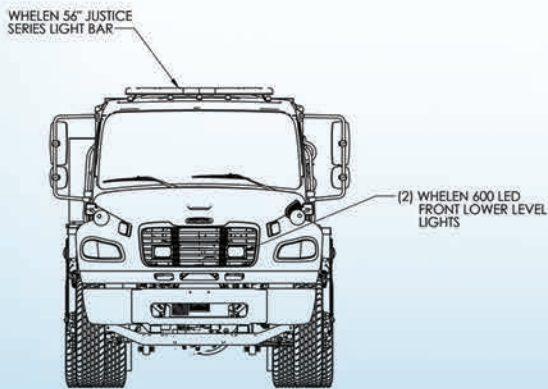
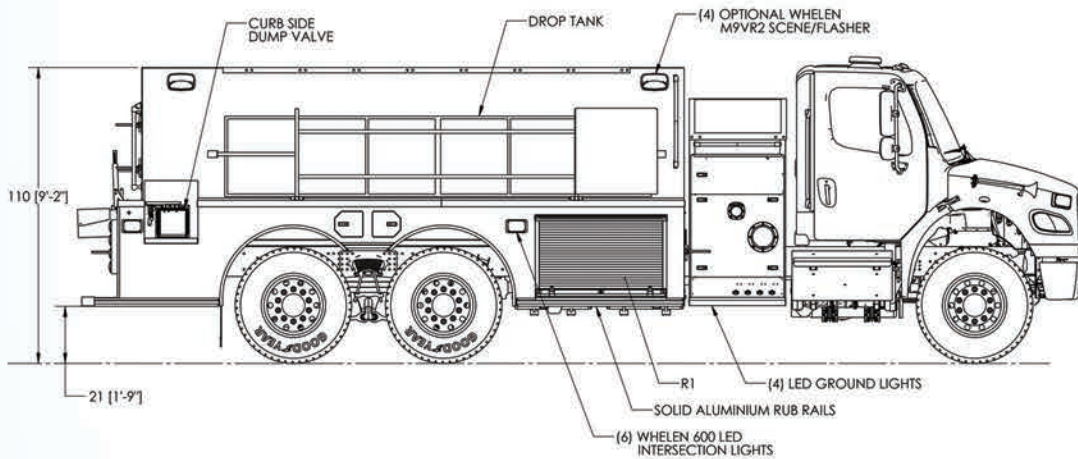
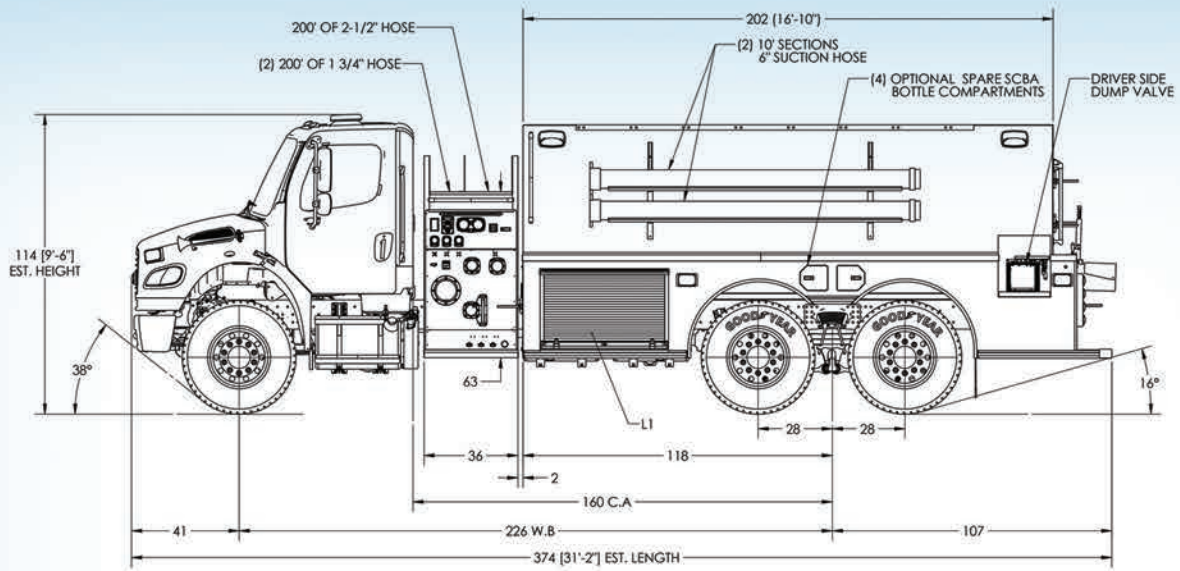
- All-Poly Body/Tank with Lifetime Warranty
- 2 1/2" - 5" Direct Tank Fill
- Stainless Steel Newton 10" Square Manual Dump Valves
- Portable Tank Carrier and Portable Tank
- All-Poly "Sweep Out" Style Compartments
- Anodized Aluminum Roll-Up Doors
- 500-1500 GPM PTO or Midship Pump
- Pump and Roll Capabilities
- 36" Pump House
- Full Width and Length Hose-Bed
- Pre-Connected Cross-Lays
- NFPA Warning, Lighting Systems, and Striping
- LED Lighted Footsteps and Compartments
- Class 1 ES-Key Electrical System

## Options:

- Multiple Compartment Configurations
- Multiple Shelving Options
- Newton Electric Dump Valves
- Newton Swivel Dump Valve
- Zico Drop Tank Carrier
- Deck Gun, Remote Monitor, Hose Reels
- Front, Rear, Side Discharge Options
- Freightliner, International, Kenworth and Peterbilt Chassis
- Lighting Accessories
- Front Bumper Extensions
- "Fold-Down" Rear Ladder
- More Customized Options Available







# ALL-POLY SERIES 3000

